

<b>Output power:</b>	<b>max.</b>	<b>42000 Watt</b>	<b>Typical applications:</b>	Laboratory plating lines
<b>DC current:</b>	<b>max.</b>	<b>3000A (at 12V)</b>	Precious metal plating	Reel-to-reel plating
<b>DC voltage:</b>	<b>max.</b>	<b>1000V (at 42A)</b>	PCB lines	Manual plating lines

DC power supply with switch mode technology, designed for use in electroplating and/or for installation in a cabinet.



POWER STATION pe3000-9, front view



POWER STATION pe3000-9, back view

### Characteristic values

Linearity inaccuracy:

- for amperage < 1 %
- for voltage < 0,5 %

Ripple less than < 2 %

Efficiency typical > 85 %

Powerfactor  $\cos \varphi$  0,95

Constant current and voltage control

Soft start function

Over temperature protection

Pulse operation optional

Mains supply: standard 3x400 V +/- 10 % / 50 or 60 Hz without N  
(other voltages on request)

### Cooling

Optimized cooling air guiding, air consumption max. 1000m<sup>3</sup>/h

Cooling air outlet at DC bus bars

Ambient temperature 35°C (other on request)

### Design

Stainless steel casing, optional coated, protection grade IP20

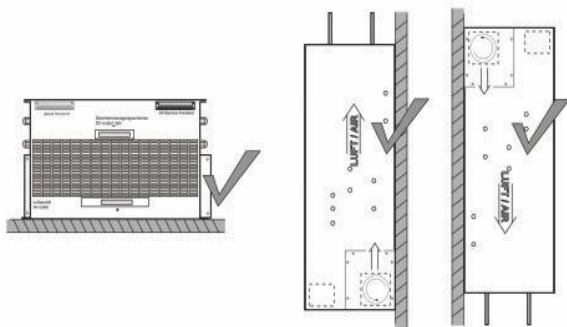
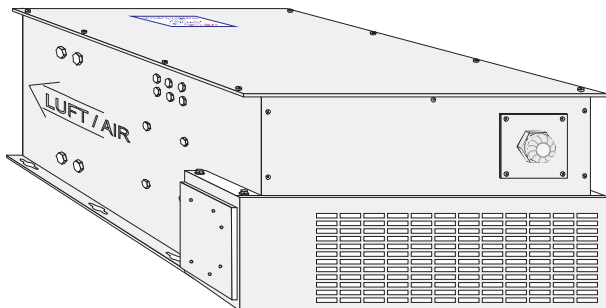
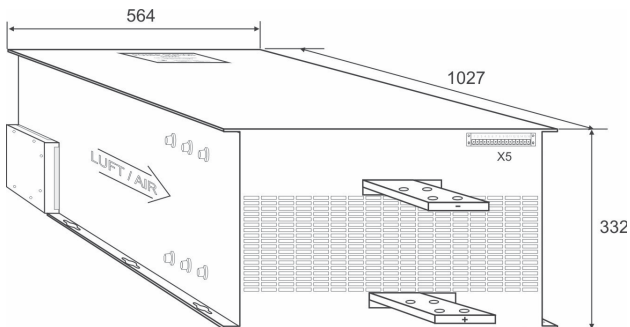
DC connection via screw terminals or tin plated copper bus bars

High voltage proof DC terminals (above 60 V)

EMV: EN55011 class A, group 1 ; EN61000-6-4 and EN61000-6-2;  
CE-conformity IEN50178 - low voltage guide line

Values	Standard sizes – DC output <sup>1</sup>						other sizes on request		
	3000 A			2500 A	2000 A		1600 A	1300 A	42 A
DC current	3000 A			2500 A	2000 A		1600 A	1300 A	42 A
DC voltage	6 V	10 V	12 V	15 V	18 V	20 V	24 V	30 V	1000 V
Mains supply	3 x 400 V AC								
Weight	approx. 111 kg								

### Standard dimensions



Allowed position of the rectifier module

### Control

Standard: peRB-interface

Optional: external control via analog signals, also with integrated isolation amplifier

Signals: 0-10V  
0-1V  
4-20mA  
0-20mA (other on request)

### Control unit pe280 for the controlling of DC power supplies

Designed for electroplating applications

Large 3-line LCD-display, Keypads for easy programming/selection

Current and voltage infinitely adjustable

by UP / DOWN buttons

Current and voltage preset

Ampere-hour counter (totalizer)

Protection grade: IP54

Ambient temperature max. 40°C



### Optional available functions

Preset counter, dosage counter \*

Ramp function (start / stop ramp)

Timer function for ON / OFF \*

Voltage / current alarm \*

Operating hours counter

Chopper timer (pulse-capable rectifier type requested)

Pole changer function (mechanical / electronic) \*

Programmable DC steps (14 individual steps) \*

Extern ON

\* Indication / alarm output

Control via: RS485, PROFIBUS, TCP/IP (other on request)

### DC output bus bars

Tin-coated copper bars

Size, location and design of the DC output bus bars may differ from the standard

Technical equipment, design and features: subject to change! For further information please contact plating electronic GmbH.

plating electronic GmbH | 79350 Sexau | Fon +49 7641 93500-0 | www.plating.de  
Rheinstr. 4 | Germany | Fax +49 7641 93500-999 | info@plating.de