

<b>Output power:</b>	600 - 6000 Watts	<b>Typical applications:</b>	Laboratory plating lines
<b>DC current:</b>	200 - 600 A (max. 600 A / 6 V)	Precious metal plating	Reel-to-reel plating
<b>DC voltage:</b>	4 - 30 V (max. 1000 V / 6 A)	PCB lines	Manual plating lines

DC power supply in switch mode technology, designed for use in electroplating.



POWER STATION pe1050, front view



POWER STATION pe1050, back view

### Characteristic values

Linearity inaccuracy < 1 %

Ripple less than < 1 %

Efficiency typical > 85 %

Powerfactor  $\cos \phi$  0,95

Constant current and voltage control

Soft start function

Over temperature protection

Current preset

Digital displays for current and voltage

Precise current and voltage settings via 10-turn potentiometer (270° or other on request)

Mains supply: standard 3x 400 V +/- 10 % / 50-60 Hz (other voltages on request)

### Cooling

Optimized cooling air guiding, air consumption

up to 4800W: max. 180m<sup>3</sup>/h

up to 6000W: max. 360m<sup>3</sup>/h

Cooling air outlet at the device back panel

Ambient temperature 35°C (other on request)

### Design

Compact desktop unit, protection grade IP21

Casing powder coated colour RAL 9018 (Standard)

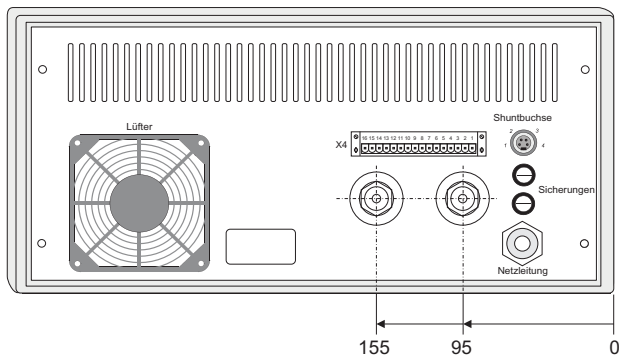
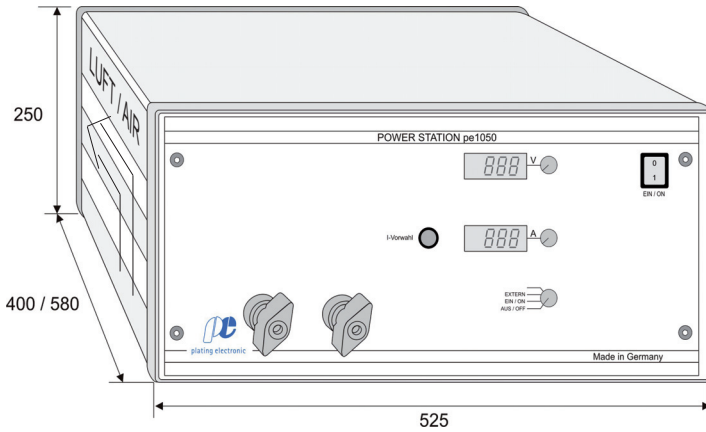
Aluminium front panel with polycarbonat film

DC connection in front or back panel (lead through bolts or oval flat clamp)

EMV: EN50011 class A, group B ; EN61000-6-4 and EN61000-6-2;  
CE-conformity low voltage guide line: EN50178

Values	Standard sizes – DC output <sup>1</sup>											other sizes on request	
	600 A			500 A		400 A		300 A		250 A		200 A	6 A
DC current	4 V	5 V	6 V	8 V	10 V	12 V	15 V	18 V	20 V	24 V	30 V	1000 V	
DC voltage													
Mains supply	230 or 3x400 V AC												
Weight	approx. 21kg			approx. 23kg								approx. 32kg	

### Standard dimensions



DC lead through bolts, up to 400A  
can be installed in front or back panel



DC oval flat clamp, up to 400A  
can be installed in front or back panel

### Control

Analog signals Iset, Uset, Iact, Uact = 0-10 V

### Control optional available

Analog signals galvanically isolated via isolation amplifier:  
0-10V, 4-20mA, 0-20mA (other on request), X4-terminal

Serial interface RS485: X6 and X7 terminal

### Optional available

External Ampere-hour counter (totalizer) and preset counter

External communication via isolation amplifier

Separate electronic controlled pole changer

External high / low voltage alarm

### Information

The maximum output power of these DC rectifiers are:

up to 4800 W - 400mm casing depth

up to 6000 W - 580mm casing depth

### DC connector

For current output >400A, there are tin plated copper bus bars located in the back panel of the device

Technical equipment, design and features: subject to change! For further information please contact plating electronic GmbH.